



PARTS BREAKDOWN

HOT WATER PRESSURE WASHER

MODEL:HW4013HBG



BEPOWEREQUIPMENT

.COM

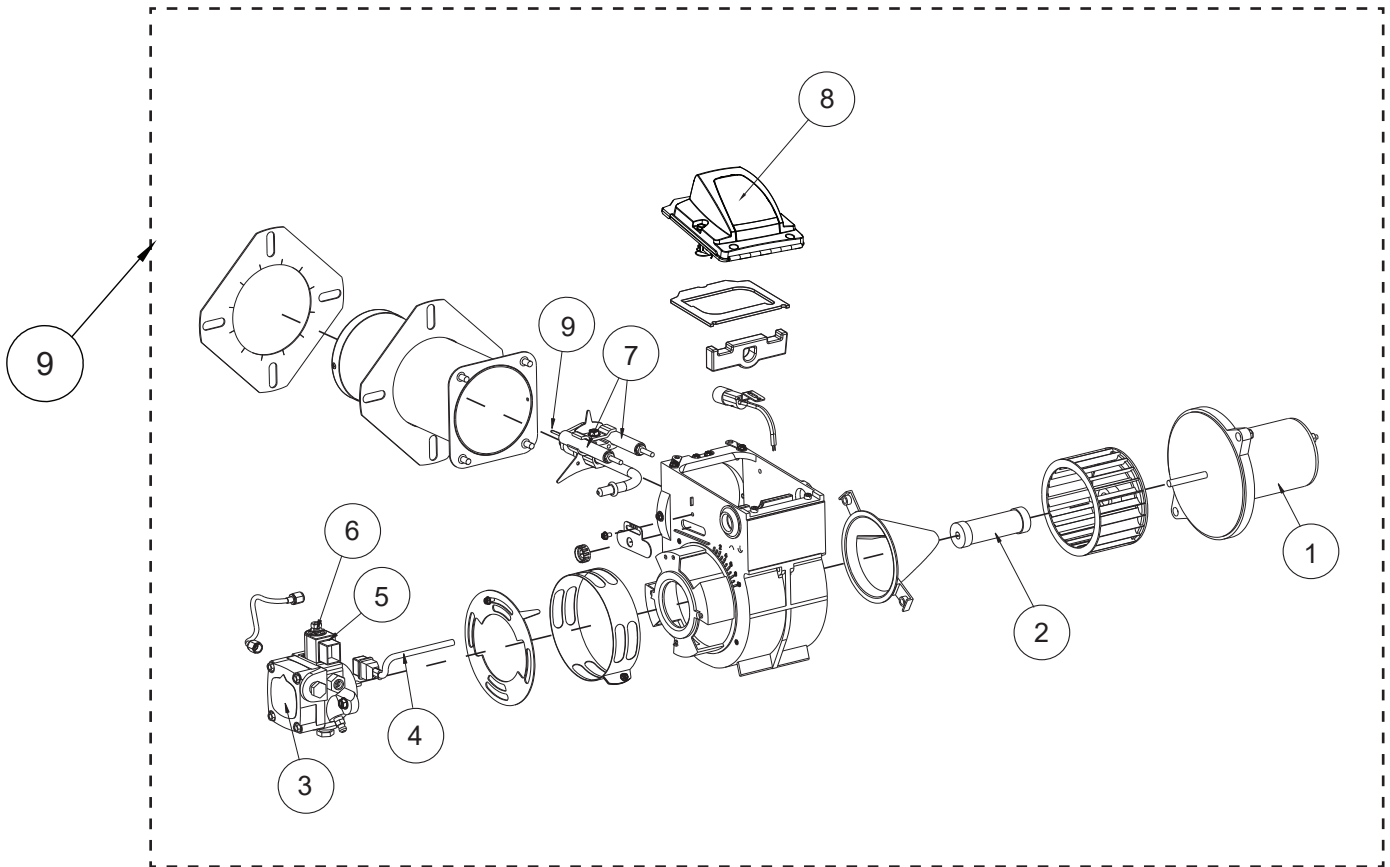


PARTS BREAKDOWN

HOT WATER PRESSURE WASHER

MODEL:HW4013HBG

ADC BECKETT BURNER



REF #	DESCRIPTION	QTY	BE PART #
1	MOTOR	1	59.110.004
2	COUPLING	1	59.110.005
3	FUEL PUMP	1	59.110.000
4	FUEL SOLENOID	1	59.110.001
5			
6			
7	ELECTRODE ASSEMBLY	1	59.110.002
8	IGNITER	1	59.110.003
9	COMPLETE ASSEMBLY	1	59.000.001

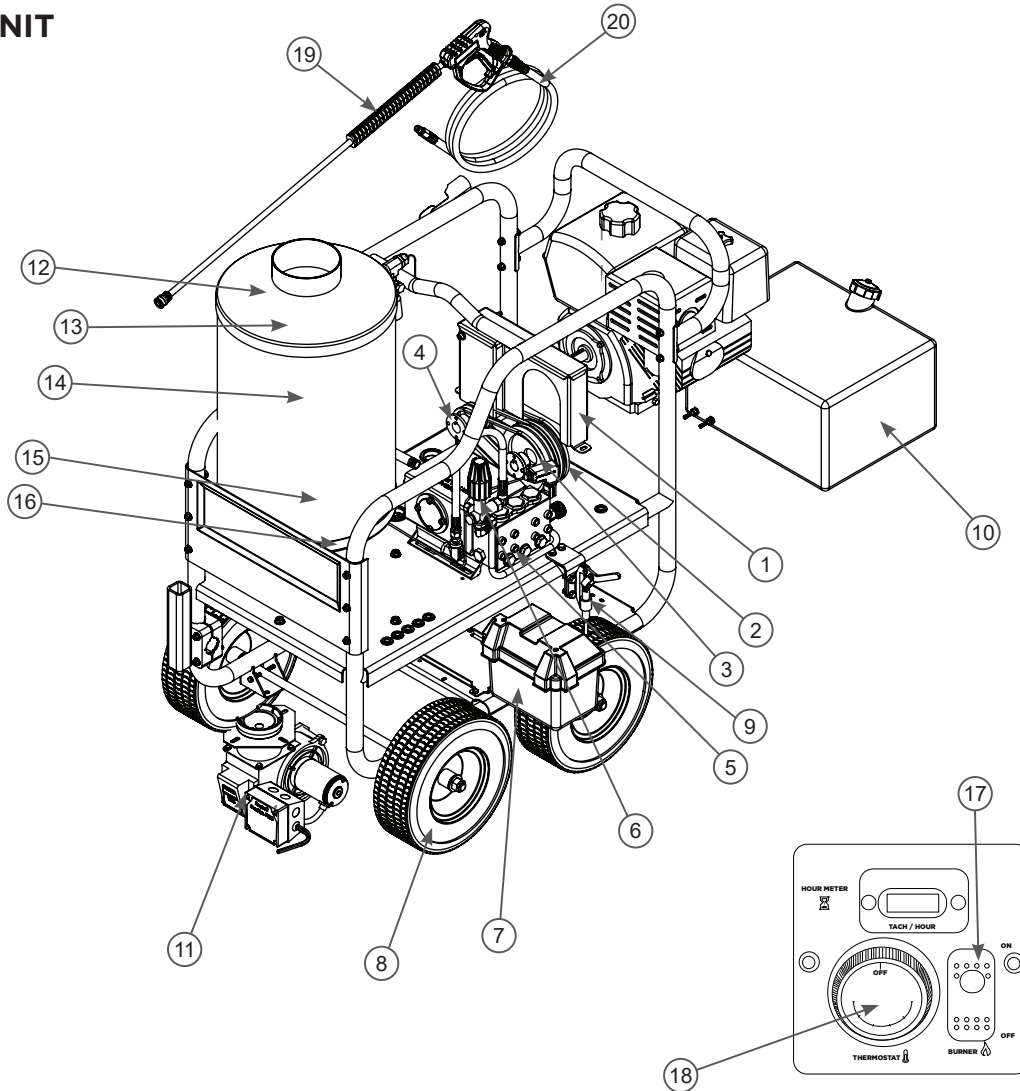


PARTS BREAKDOWN

HOT WATER PRESSURE WASHER

MODEL:HW4013HBG

OVERALL UNIT



REF #	DESCRIPTION	QTY	BE PART #
1	BELT GUARD	1	85.602.240
2	BELT	1	47.002.028
3	PULLEY, 6", PUMP SIDE	1	85.603.057
4	BUSHING 24MM, PUMP SIDE	1	85.603.056
4	BUSHING, 1", ENGINE SIDE	1	85.603.055
5	COMPLETE PUMP ASSEMBLY	1	85.139.005H
6	PUMP UNLOADER ASSEMBLY	1	AL607
7	BATTERY, AGM 12V DEEP CYCLE	1	85.603.000
8	13" FLAT FREE	4	85.660.050F
9	WHEEL BRAKE ASSEMBLY	1	85.604.104
10	DIESEL FUEL TANK, 10 GALLON	1	85.601.043
11	BURNER ASSEMBLY WITH FUEL PUMP	1	59.000.001

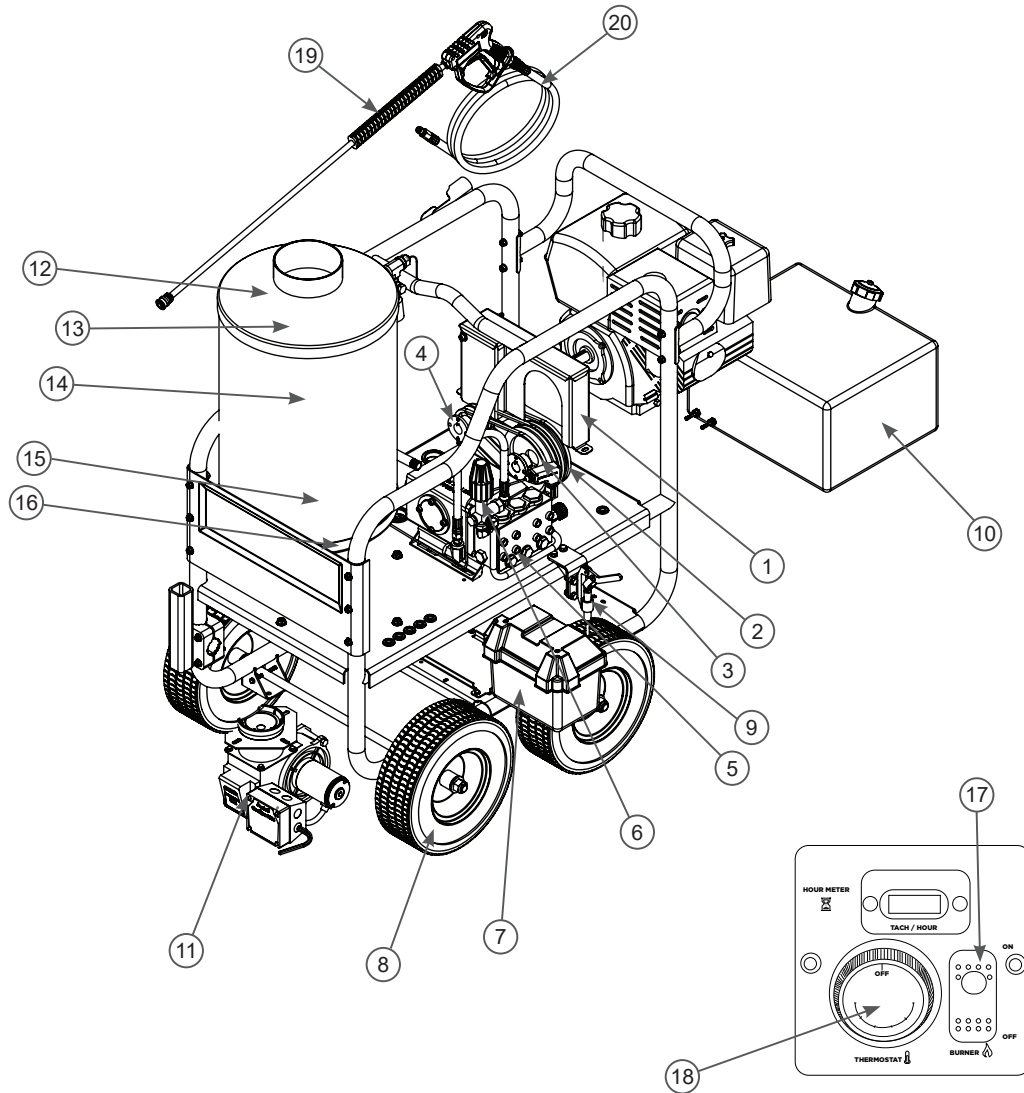


PARTS BREAKDOWN

HOT WATER PRESSURE WASHER

MODEL:HW4013HBG

OVERALL UNIT (CONTINUED)



REF #	DESCRIPTION	QTY	BE PART #
12	STACK CAP, STAINLESS STEEL	1	59.000.113S
13	INSULATION, TOP	1	59.000.117
14	HEATER COIL	1	59.000.000
15	INSULATION, BOTTOM	1	59.000.116
16	BOTTOM RING, STAINLESS STEEL	1	59.000.122S
17	ON/OFF SWITCH	1	59.000.103
18	THERMOSTAT WITH INNER PROBE	1	85.400.071
19	GUN WAND ASSEMBLY	1	85.205.026
20	HIGH-PRESSURE HOSE, 100FT	1	85.238.215

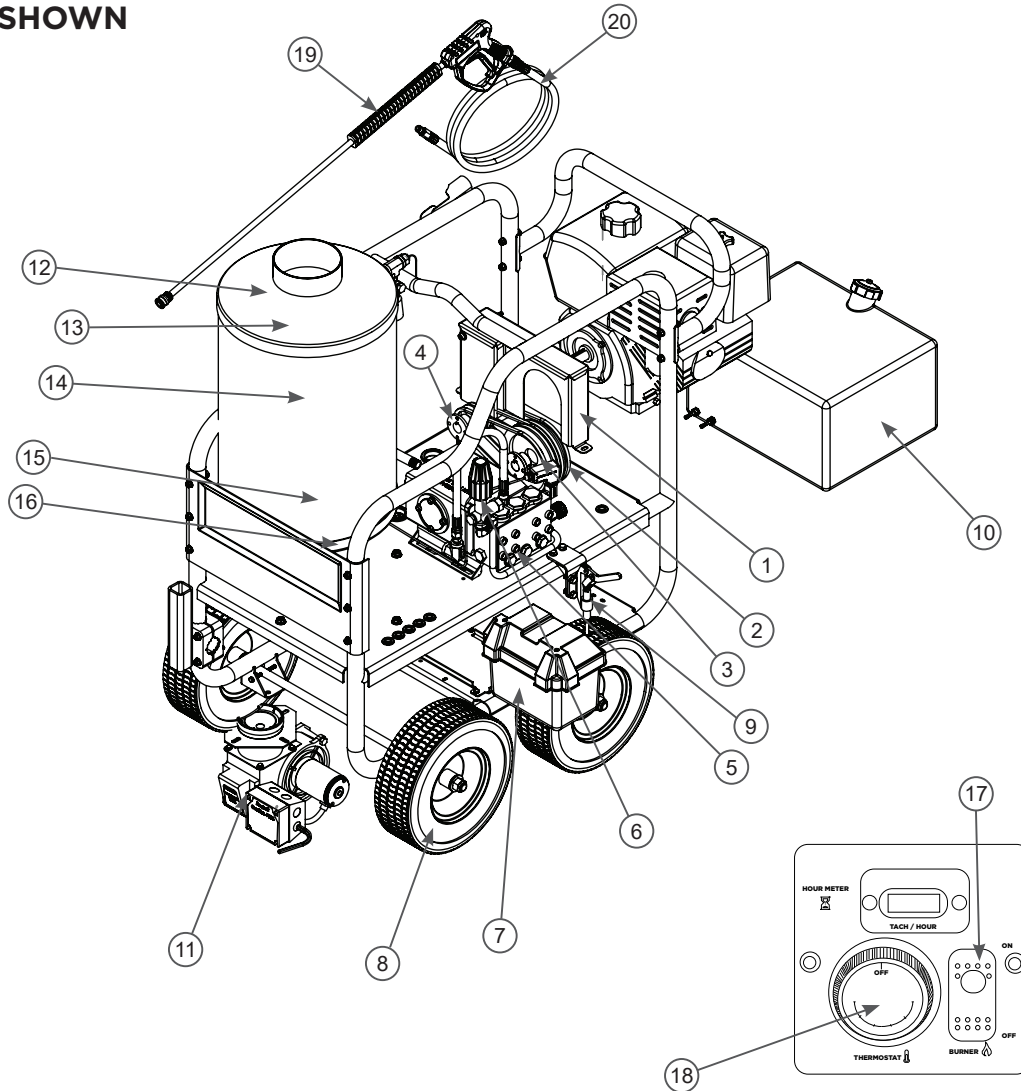


PARTS BREAKDOWN

HOT WATER PRESSURE WASHER

MODEL:HW4013HBG

OVERALL UNIT (CONTINUED)
ITEMS NOT SHOWN



REF #	DESCRIPTION	QTY	BE PART #
N/A	NOZZLE SET, 0°,15°,25°,40° AND SOAPER	1	85.210.040H
N/A	ROTARY NOZZLE	1	85.210.140
N/A	DETERGENT INJECTOR ASSEMBLY	1	85.400.000
N/A	INLINE DIESEL FILTER	1	59.000.104
N/A	RUPTURE DISK	1	59.000.101
N/A	RUPTURE DISK SHROUD	1	59.000.126

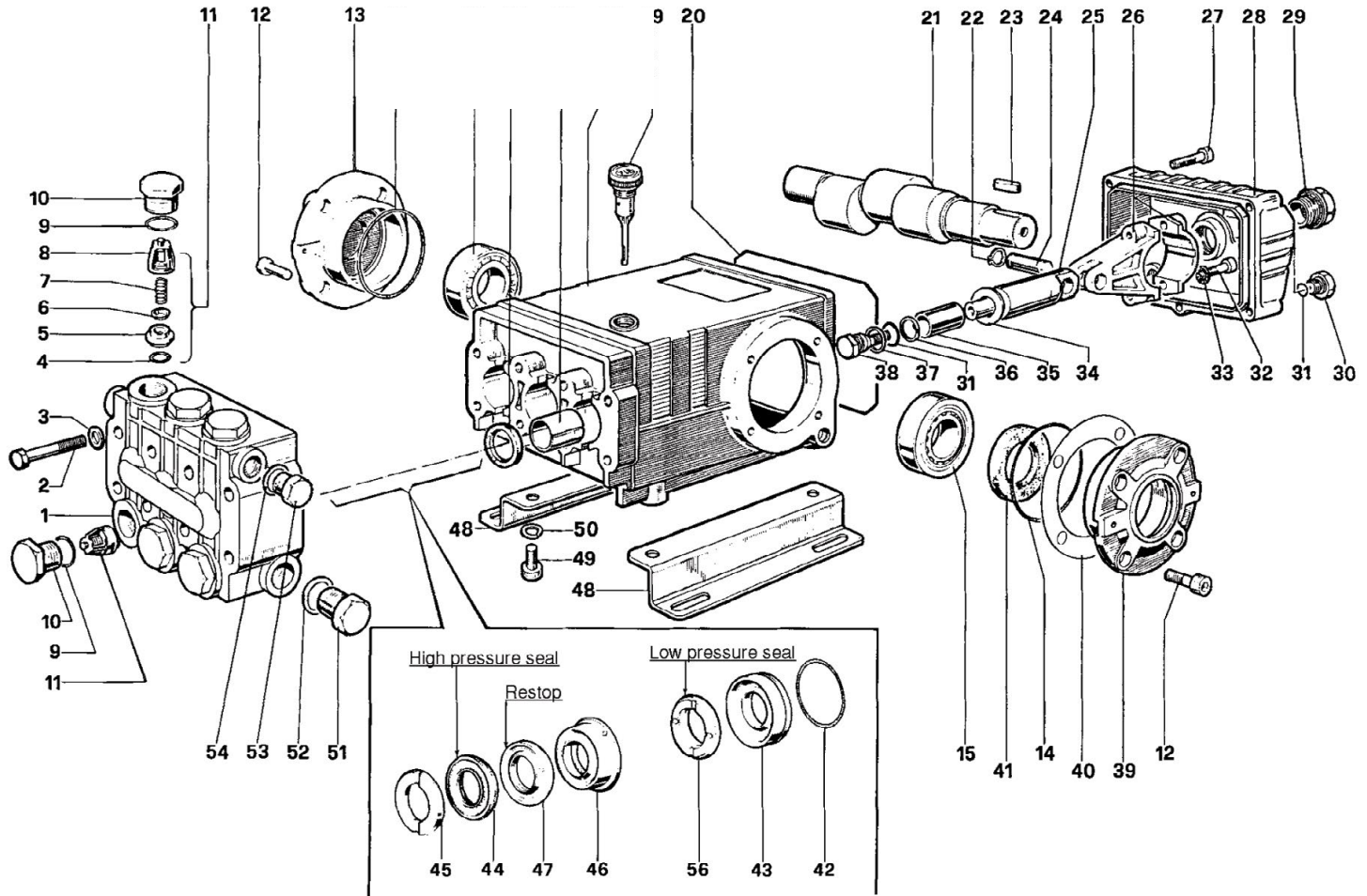


PARTS BREAKDOWN

HOT WATER PRESSURE WASHER

MODEL:HW4013HBG

PUMP BREAKDOWN



PARTS LIST

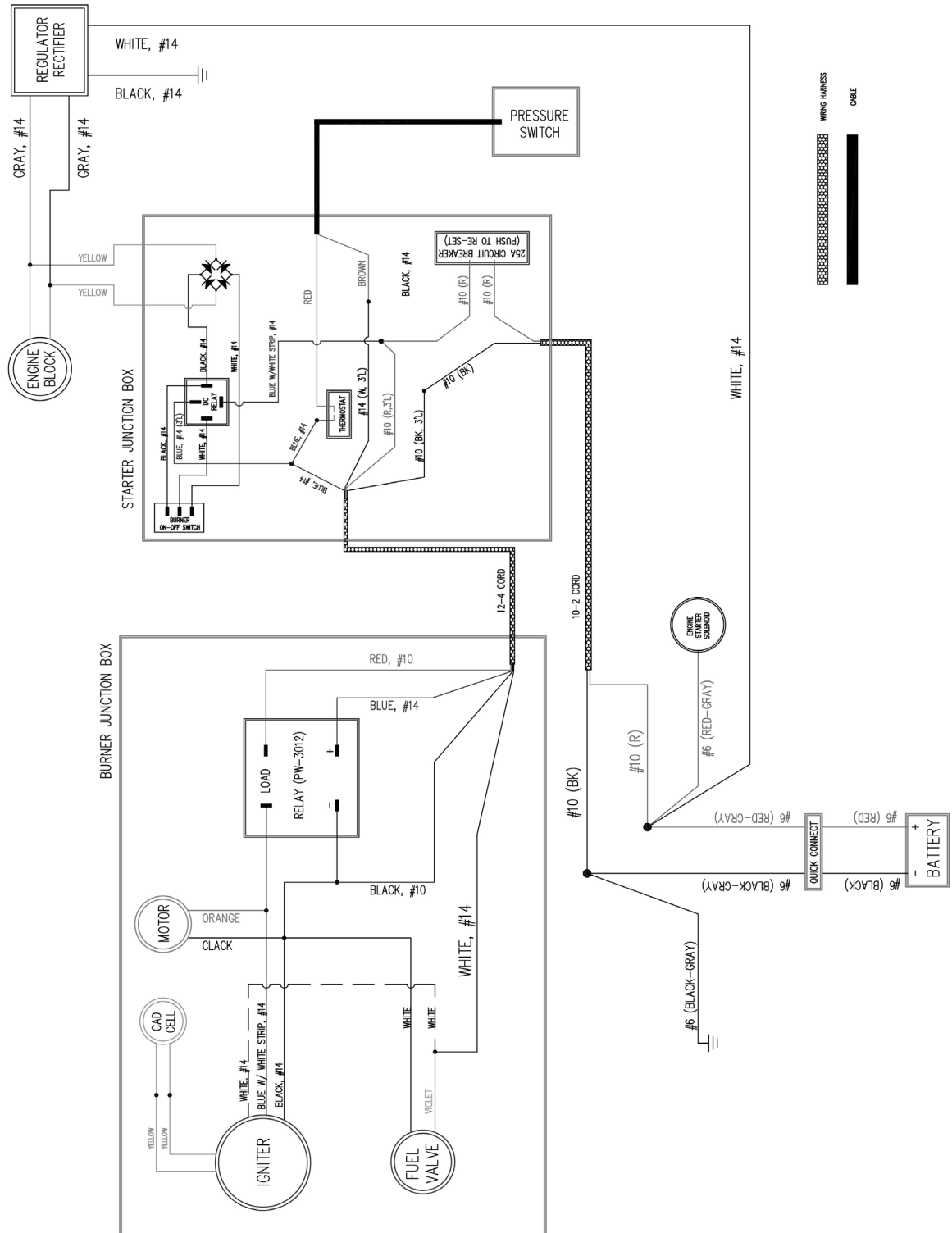
ITEM	PART NO.	DESCRIPTION	KIT NO.	QTY.	ITEM	PART NO.	DESCRIPTION	KIT NO.	QTY.	ITEM	PART NO.	DESCRIPTION	KIT NO.	QTY.
1.	47121741	Manifold		1	19.	98210600	Oil Dip Stick		1	37.	96728000	Washer	6	3
2.	99320600	Screw, M8 x 70		8	20.	90392200	O-ring, Cover		1	38.	47219566	Screw, Plunger	6	3
3.	203476	Washer, M8.4		8	21.	47021735	Crankshaft, TSS1021		1	39.	47150022	Cover, Crankcase		3
4.	701115	O-ring, .674 x .10	1	8		47021835	Crankshaft, TSS1511		1	40.	97567800	Shim		2
5.	36200366	Seat, Valve	1	6	22.	90055700	Ring, Snap		6	41.	90164800	Seal, Oil	3	1
6.	36200176	Plate, Valve	1	6	23.	640048	Key		1	42.	90361600	O-ring, 1.364x.070	10,28	3
7.	94737600	Spring	1	6	24.	97738000	Pin, Wrist		3	43.	47080570	Retainer, Packing	10,28	3
8.	36200251	Guide, Valve	1	6	25.	47050554	Guide, Plunger		3	44.	90270500	Packing	28,69	3
9.	701002	O-ring, .797x.103	4,5	6	26.	47030001	Connecting Rod		3	45.	47100051	Ring, Head, M20	7,28	3
10.	98222800	Cap	4	6	27.	99191200	Screw, M6x30		5	46.	47216970	Intermed. Ring	28,71	3
11.	36703201	Valve Assembly	1	6	28.	47160122	Cover, Crankcase		1	47.	90270400	Restop Ring	28,69,71	3
12.	99303900	Screw, M8 x 16	8		29.	97596800	Oil Indicator		1	48.	47200074	Pump Feet		2
13.	47150122	Cover, Crankcase Side	1		30.	98204100	Cap		1	49.	99364400	Screw, M10 x 18		4
14.	701147	O-ring, 2.675x.103	2		31.	701013	O-ring, .426x.070	6	4	50.	96710600	Washer, M10.2		4
15.	640047	Bearing, Roller	2		32.	99309900	Screw, M8 x 35		6	51.	98217600	Cap		1
16.	90162500	Seal, Oil	2	3	33.	96701400	Washer, M8.4		6	52.	96751400	Washer, M21.5		1
17.	90912600	Bushing	3		34.	96728600	Washer, M14	6	3	53.	98210000	Cap		1
18.	47010522	Crankcase	1		35.	47040409	Plunger, 20 mm		3	54.	96738000	Washer, M17.5		1
					36.	660067	Ring, Back-up	6	3	56.	90271000	Seal, Low Press, 20 mm	28,69	3



PARTS BREAKDOWN HOT WATER PRESSURE WASHER

MODEL:HW4013HBG

WIRING DIAGRAM



BE

POWER EQUIPMENT

If you need technical assistance call:

1-866-850-6662

(8:00am - 4:30pm PST, Mon - Fri)